



World leader in vehicle de-pollution technology



SEDA VehicleTrolley TL N-527486



The new SEDA VehicleTrolley has been specially designed to work with SEDA TiltingLifts in order to facilitate forklift-free handling.

The robust construction with 4 stable wheels (incl. stop function) and the special guide rails of the trolley, featured in all SEDA tilting ramps and tilting lifts, are unique features of the equipment which allow for one-person handling.



Modest positioning

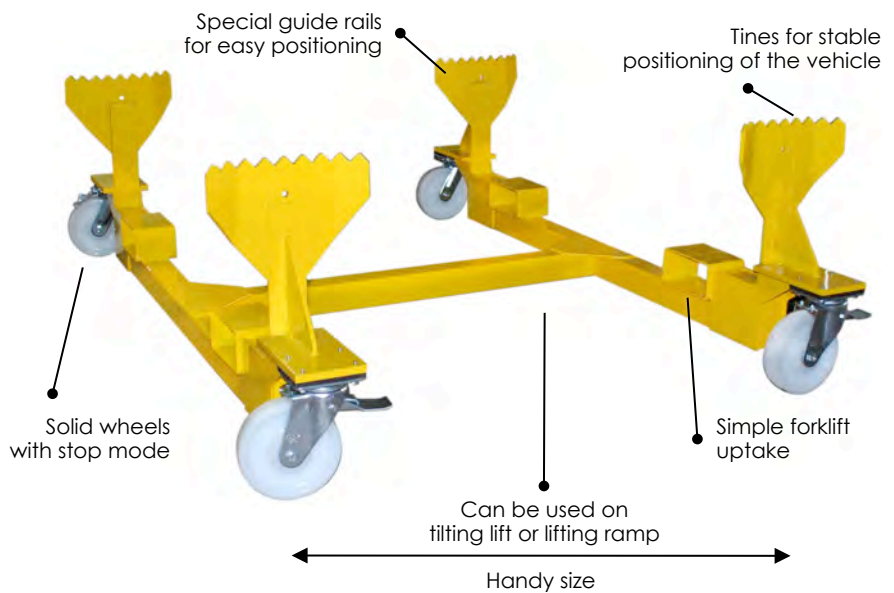


Easy to maneuver



Your benefits:

Fast and exact movement of vehicles



TECHNICAL DETAILS

Loading capacity: app. 3,5 tons
Weight Trolley: 120 kg
Dimensions: With: 1,6 Meter
 Length: 2 Meter
 Height: 0,6 Meter

ORDER INFORMATION

N-527486 SEDA VehicleTrolley TL

Alternative device:
N-527480 SEDA VehicleTrolley RS

SEDA-Umwelttechnik GmbH

Schwendter Str. 10 / A-6345 Kössen/Tirol/Austria
 UID-Nr.: ATU56621622 / FB-Nr.: FN 231790 v / FB-Gericht: Innsbruck
 Certified Company DIN EN ISO 9001

P: +43 5375 6318-0
F: +43 5375 6318-9
E: info@seda.at
Web: www.seda-international.com